



BENEVA CHRISTIAN CHURCH
(DISCIPLES OF CHRIST)

THE GOOD NEWS

Rev. Bobby Dickerson

December 2008

Volume 38, Issue 12

A NOTE FROM OUR PASTOR:

Thanks be to God for his redeeming love through our Lord and Savior Jesus Christ!

Thanks be to Christ Jesus for loving His father and us so much that he was obedient unto death.

Thanks be to the Holy Spirit that leads, guides, and directs our lives each day and reveals to us God's word and will.

During this Thanksgiving season we have much to be thankful for even during these economically difficult times. For life is more than food, clothes and even a place to live. It is about loving God and having a personal relationship. It is about having a loving family and friends that are with us through the good times and bad. It is about having a church family we can share our joys and concerns with and know that they care and are praying with us and for us daily. It is about reaching out to those in our lives and world who are hurting mentally, spiritually and financially by putting their needs above our own. It is about helping people up and not just helping them out.

At Thanksgiving I am always reminded of the words to a song that is no longer in our hymnal but is an old favorite of mine and its words go like this:

“When upon life’s billows you are tempest tossed, When you are discouraged, thinking all is lost, Count your many blessings name them one by one, And it will surprise you what the Lord has done. Count your blessings name them one by one; Count your blessings see what God has done; count your blessings name them one by one; Count your many blessings see what God has done.”

Remember, this Thanksgiving, count your blessings.

Blessing!

Pastor Bobby

Empowered by the Spirit, We will reach out in Love and Fellowship; Teaching and Making Disciples.

Inside this issue:

<i>World Outreach</i>	2
<i>Recycling Fundraiser</i>	3
<i>Joshua’s Men</i>	
<i>Youth Group News</i>	4
<i>Christmas Dinner</i>	
<i>Fundraiser Info</i>	5
<i>Birthdays & Anniversaries</i>	6
<i>October Financial Update</i>	
<i>Food Pantry</i>	7
<i>Little Disciples Preschool</i>	8
<i>Cash for Christmas</i>	
<i>Prayer Partners</i>	9
<i>Christmas Tree Sales</i>	
<i>Children’s Page</i>	10
<i>Angel Tree & Poinsettias</i>	11
<i>General Board</i>	12
<i>Deacon & Elder Schedule</i>	13
<i>Church Office Hours/Staff</i>	14
<i>Homebound / B.P. Check</i>	
<i>Church Calendar</i>	15



World Outreach

By Dave Harlow, World Outreach Chair
(Amy Abbott and Mary Caress also on the committee)

This is a continuation of my experiences for the "Rebuilding of New Orleans". Our mission crew worked in Chalmette, La., a mostly working class city, east of New Orleans. My telling you this story is to get you thinking about what you could do on a mission trip. You may not be physically able, but might support someone with money so they could go? This time my article is about New Orleans and the lower ninth ward in particular.

New Orleans has never been a wealthy city per se. The lower 9th ward is/was home for really poor people. It is located along an industrial canal. If you remember your geography of China, the Yang-tze River is high above the



surrounding land due to centuries of flooding. You look up and see ships sailing by. It is not contained by man-made levies, but is built up by silt. The concrete levy is maybe a foot thick, which doesn't seem very secure to this writer. During hurricane Katrina, it failed and water at 10 feet deep flooded the lower 9th at an estimated speed of 250 MPH! Most of the houses were swept off their foundations and moved into one big heap of broken debris. Some people were there because they were turned away from the Super Dome. The people of the lower 9th are having trouble accepting their fate. We met a man whose mother and daughter died. He said, "we all aren't lazy". He said there was a working middle class neighborhood. We then met a black minister who said we restored his faith in us. Our government acted shamefully during this crisis. The people that had a house under them crawled on to the roofs. It was hot in the high 90s. One day went by and no rescue, 2 days went by still no boats or anything. They were dehydrating. On the 6th day, the Royal Canadian Mounted Police came with boats. The 7th day FEMA came, WOW! He told us that he told his churchmen to leave New Orleans. Most did and most have never returned as there is no place to return to.

Last month our special offering went to reconciliation. The offering deals with racial problems. They are alive and well around New Orleans. The minister said 35 of them traveled together on their way to Baton Rouge. They experienced trouble buying gasoline for the following reasons: 1. They needed it for their regular customers 2. They took cash only 3. They were sold out. They did manage to buy gasoline, but it left a bitter taste in their mouths. The minister told us he had just remodeled his

his house inside and out. His house was found 1/2 mile away. The church is just a slab of concrete. He has a new house today thanks to some Mennonite crews. It withstood hurricane Gustav's winds this summer. We walked up to the rebuilt levy. It has been built to stronger requirements. The canal was built by the Dole Corporation through a Bayou. One ship a week comes through to the port. Before the Bayou was cut, there had never been major flooding. All along the way, we saw slabs where homes once stood. Once in awhile, we'd see a boarded up cement block house. They are awaiting repair. We then drove to the river that has earthen dikes. The dikes are constructed of clay and seem to work well. Many of the houses in that area are repaired, but there are many more ready to be repaired. We crossed the canal to another part of the lower 9th. There we saw the Henry Thompson Center. It was built to feed, shower, and to provide mental and physical health services along with legal aid. Many of the homeless have jobs, but no place to live. The center has no A/C or chairs, but has benches separated by large plants. Our Week of Compassion helped fund the building that cost over \$1,500,000.

We went to an area that Habit for Humanity was working in. There we saw a street that has been rebuilt by Winton Marsalis and Harry Connick Jr.'s private funds. They are the most colorful houses- Tangerine, Robin Blue, Red, etc. They are several feet above the street. They were built for the Jazz Musicians. We finished our 2 houses and I have been told the families will move in by Thanksgiving. It is a most rewarding feeling to have been able to serve.

Special Christmas Offering

It may not seem much like Christmas to you, but it looks like a Christmas wonderland around Ohio. Can you believe that we have 8 inches of snow on the ground? I had to clear our driveway and sidewalks already. This snow is called "lake effect" snow. When Barton W. Stone and the Campbells sent out a call to form local congregations, it became apparent that state Evangelists were needed. So it is today the mission of the region to help guide, and provide renewal of congregations, members and ministers.

Your Christmas gift will help the planning, visioning, pastoral care and conflict management. Please read your special offering material and be generous. The offering will take place on December 14 and 21.

With God, All Things are Possible.

Your Outreach team: Amy Abbott, Mary Caress, and Dave Harlow †

The Good News is published monthly by
Beneva Christian Church (Disciples of Christ)
4835 Beneva Rd., Sarasota, FL 34233-2110.

Nine Ways to Really Help the Homeless

Here are some simple guidelines to equip you to truly help homeless people you meet.

- 1. Never give cash to a homeless person. Too often, well intentioned gifts are converted to drugs and alcohol-even when the "hard luck" stories are true. If the person is hungry, buy them a meal and a beverage.
- 2. Talk to the person with respect. It gives the person a weapon to fight isolation, depression and paranoia that many homeless people face.
- 3. Recognize that homeless people [and their problems] are not all the same. The homeless are as diverse as the colors of the rainbow. The person you meet maybe a battered woman, an addicted veteran, someone who is lacking job skills, etc.
- 4. Share God's love whenever you can. If Jesus were walking on earth today, He certainly would spend time with the homeless. He would speak with them, heal them, help them. Today, Jesus chooses to work through those who believe and follow Him.
- 5. Pray for the Homeless. Exposure to the elements, dirt, occasional violence, and lack of purpose all drain years from a person's life. God can use your prayers and the brutality and the futility of life on the streets to bring many of the broken to Himself.
- 6. Take precautions for your own safety. Always be prudent while talking to street people. Stay in areas where other people can see you. Don't take unnecessary chances.
- 7. Encourage people to get help through local missions. The Salvation Army is a good place to start.
- 8. Support our outreaches. Our food pantry is an outstanding example of our church working to combat hunger. Support the workers, try to share your time at the pantry. The pantry would appreciate you helping in the process. Our Week of Compassion and Crop walks all work to aid the homeless.
- 9. Refer them to Pastor Bobby. While he can not offer financial assistance, he can pray with them and offer them emotional guidance. †

Interested in a home visit with Pastor Bobby, or a cup of coffee at the church? Please contact him at **400-7349** (cell) or the church at **924-8713** to arrange a convenient date and time. †

Recycling Fundraiser

Do you have old cell phones sitting around your house? Bring them to church! In an effort to raise much-needed funds for our church, as well as do our environment a favor, we are conducting a drive for used electronic items. Through this program, we send out the items so they can be recycled in the proper way, and our church receives a bit of money for each item sent. If you have: Cell phones, Digital cameras, iPods, Laptops, or used Ink Jet cartridges, we want them! No accessories please, and if an item is broken we still receive money. Ask your friends, neighbors, and even local businesses for items to be recycled. We can all make a difference in the life of our church and our environment through this exciting drive! †

Joshua's Men

December 1st — 7:00 pm

ALL men are invited to the monthly gathering of Joshua's Men. We will next meet on Monday, December 1, 2008 from 7:00 to 8:00 PM for fellowship with our brothers in Christ, Prayer and praise songs. This meeting we will continue our training helping each of those who attend to be a "Man of His Word" in all aspects of his life. Please join us and add your unique perspective to the growth of God's men in service to Him and to bring Him Glory through our actions. You may be surprised at who shows up.

The goal for our ministry continues to be the establishment a set of concrete activities scheduled at least six months in advance. At our first scheduled activity, which was on November 8th at 8:00 AM, we had a delicious breakfast skillfully prepared and served by several women in our congregation. Information was gathered from those in attendance to help the core team in planning and formalizing future activities. Our heart goes out to those men who were unable to attend because not only did you miss good food but you missed wonderful fellowship and a nice new car.

We take this opportunity to offer our unconditional thanks to each of the women that had any part in the breakfast for their unselfish and generous acts of service. May God's rich blessings shine on you and yours always.

For more information or questions please contact Steve Dziadik at 941-228-8605. †

Youth: Mark your Calendars!

By Corry O'Carroll

We have some exciting events coming up for December, so mark your calendars!

December 6th 1-4pm: Make A Gift will be an opportunity for you to make a Christmas gift for Mom and Dad. If there is anyone who would like to help create a 1:1 ratio of kids to adults, it would be great for the little guys. More information will be coming out through youth groups.

December 13th 8am: Our annual treat, Breakfast with Santa. This has been a great outreach to the community from Beneva Christian Church. Please let Olevia or Corry know if you are interested in helping.

December 22, 23, 24th 6:30-9pm: We will be hosting our traditional Live Nativity. For those who are new to our congregation, this is when the youth do a re-enactment of the birth of Christ outside on the corner of Beneva and Proctor.

If anyone can help with any of these activities please contact Corry O'Carroll 915-3206 or Patricia Poquette 780-2300

CYF Assembly is January 23-25, 2009

Beneva Youth please put these important dates on your calendars. We hope for a great attendance. †

Sunday Morning Youth Programs

By Patricia Poquette, Christian Education

Kathy Bearden will be teaching grades 5th thru 12th. All others please go to the nursery. The nursery attendant for the month of December is Gail Brodkorb.

We ask that if you are dropping off your children at the nursery for bible studies, that you please pick them back up after class. The nursery attendants can then have a coffee break before 10:30 services, when the children can return to the nursery.

After the Children's Moment during the 10:30 a.m. service, the children will go to Fellowship Hall where grades 2, 3 & 4 will go to Worship & Wonder while Grades K & 1st will go to the Seekers classroom for bible studies.

Your teachers for December are Rea Davies (Worship & Wonder) and Corry O'Carroll (Seekers class). †

Christmas Dinner

Friday, December 19th 6:00 pm

Mark your calendars! Plans are underway for our annual Beneva Christian Church Christmas Dinner. Gail Brodkorb is busy in the kitchen! Brian Brodkorb is helping to prepare the turkeys again this year. Watch for sign-up sheets in the narthex. Grab a fork, loosen your belts and get ready for some great food and fellowship! †

Christmas Bazaar

By the time you read this, the Christmas Bazaar, which was November 29th, will be a thing of the past. Several "church ladies" have been meeting regularly to sew, paint, glue and "gab". We have had a lot of fun. Hopefully, the fruits of our labor will be rewarding for the church. Thank you to Greg Fulkert for his donation of time and talents. Greg, with help from Jonathan, cut out many wooden ornaments for the ladies to decorate. Thank you to all who have made donations of food, gently used Christmas decorations, supplies and talents. †

Nursery Volunteers

We are looking for volunteers for the nursery during Sunday worship. The nursery is located to the left of the Sanctuary and is for children up to 5 years old. We would like to have enough people volunteer so a person only is out of church services one Sunday every 4-6 weeks. We are not gender biased, men are welcome; teenagers are also welcome in addition to an adult. Please contact Patty at 780-2300 or Corry at 915-3206. †

Sunday Bible Classes

By Patricia Poquette, Christian Education

Adult bible studies are led by Pastor Bobby Dickerson, and are held every Sunday between 9 and 10 in the morning in Fellowship Hall before church services at 10:30 am.

Haven't tried a class yet? Come join us and see what we're learning. †

The Very Best Christmas Gift

Jane Wyatt, Growth Chair

You all know the very best Christmas gift, the one that inspired all of the season's giving. God gave us his perfect son, who loves us all and gave us life eternally embraced in God's love!!

What a great season to rededicate YOUR special gift of yourself to God and his creation, Earth.

Beneva gives us so many opportunities to really please God. Let's all put our efforts into sharing our devotion to the community and our church family----tree sales, Santa's Breakfast, gifts and baskets given through the food pantry, the All Church Christmas Dinner, helping with our very special Live Nativity, singing in the cantata, but most of all returning to Christ dominating the season.

What a great gift to Jesus can be given by friends and regular visitors giving themselves to membership in our Beneva family. We have already received a great gift in this way and are so pleased to have Dean and Kathleen Allee (by way of Missouri) come forward to join our family just before Thanksgiving. We are so thankful to have them with us, and they are wonderful Disciples! †

Beckham's Fundraiser

BECKHAM'S restaurant, located at 1272 S. Tamiami Trail in Osprey, (South Bay Plaza) will send Beneva Christian Church a check for 15% of your bill for any Sunday noon meal. Simply enjoy a great lunch at BECKHAM'S after church on any Sunday, give your server the name and address of our church, and they will mail the church a check! Take your friends and family along. Enjoy a great meal, great fellowship, and help support our church!!! †

Cornerstone

Sunday School Class: Sundays—9:00 am

This class helps us to read and understand basic biblical passages. It is a catalyst for our devotional lives and gives us an opportunity for fellowship with other disciples. This group is designed for all adults — any age. If you have any questions, please feel free to contact Pastor Bobby at the church. The nursery will be provided during this class. We hope to see you at Cornerstone each Sunday. †

Steak 'N Shake Fundraiser

December 7th 5-8pm

Thanks to the efforts of Ruth Wolf, the STEAK 'N SHAKE located at 4297 S. Cattleman, has offered to hold a fundraising event for Beneva Christian Church on Sunday, December 7th, from 5:00 p.m. until 8:00 p.m. We will be issued vouchers with our church name, date, time and location of the event. STEAK 'N SHAKE will donate 20% of what we spend at our fundraising event to Beneva Christian Church. All you have to do is bring in the voucher provided on the 7th between 5:00 p.m. and 8:00 p.m., show it to your server, and everything on your bill will be counted for the 20%. You pay nothing extra. You can purchase STEAK 'N SHAKE gift cards with a voucher and receive 20% for our church - You can get some of your Christmas shopping done while you eat dinner!!! (STEAK 'N SHAKE accepts credit cards or cash.) You will be able to give the vouchers to your friends, business associates, and family. The more people coming in with a voucher on the evening of the 7th, the more money our church will receive! One important rule: No vouchers can be given to others on STEAK 'N SHAKE property.

Mark your calendars, come hungry, bring your friends, We'll see you there!!! †

"At Bethlehem, God demonstrated that to love is to give."

Christian Symbols



Advent Wreath

The Advent wreath is a symbol of watchfulness and increasing joy as we anticipate Jesus' birth. The wreath's circular shape symbolizes eternity, or life without end. The candles remind us that Jesus is the Light of the World — he brought light and life to a dark world (see John 1:4-5). On each of the four Sundays of Advent, we light a new candle. As the light grows, so do our hope and joy. †



- Dec 01 Lori Walsh
- Dec 01 Caitlin Byrd
- Dec 02 Denise Mason
- Dec 05 Kaitlin Higby
- Dec 08 Patricia Weaver
- Dec 09 Steven Dziadik
- Dec 10 Brent Creech
- Dec 11 Dean Allen Platt
- Dec 13 Paul Sloat
- Dec 16 Mary Yarman
- Dec 17 Lucinda Bussiere
- Dec 21 Bobby Dickerson
- Dec 21 David Harlow
- Dec 21 Charles Rabjohns
- Dec 23 Melanie Bussiere
- Dec 24 Sara Metheny
- Dec 24 Marshall DuBois
- Dec 26 Kyle Mason
- Dec 26 J.B. Stanley
- Dec 27 Leon Davidowski
- Dec 27 Russell Robbins
- Dec 27 Theresa Weber
- Dec 28 Jerry Bogart
- Dec 28 Perry Mason
- Dec 29 Stacia Hill
- Dec 29 Christina Fruehwald
- Dec 30 Willis Jacus
- Dec 30 Marcella Johnson
- Dec 30 Wally Brunton

If we have dates that are not correct, or if we don't have your special days listed, please notify the church office. †

Celebrating Their ANNIVERSARY

- Dec 01 Larry & Jackie Hazen
- Dec 12 Hugh & Lillian Moore
- Dec 14 Leon & Edith Davidowski
- Dec 14 Perry & Denise Mason
- Dec 15 Darren & Rebecca Platt
- Dec 23 David & Mary Harlow
- Dec 27 Harold & Jane Holbrook
- Dec 27 Barry & Becky Havener
- Dec 30 Zach & Holly Fuqua

October Financial Update

By Duane Wyatt, Stewardship Chair

	<u>October 2008</u>		<u>October 2008 YTD</u>	
	Actual	Budget	Actual	Budget
Income	\$25,363	\$17,883	\$156,176	\$128,841
Expenses	23,600	16,555	190,592	189,901
Gain(Loss)	1,763	1,128	(34,416)	(61,102)
Checking Bal.			\$12,796	



Income for October was about \$8,000 higher than budget because that income had occurred for special items that had been held in the Balance Sheet - it was for the signs, new mower, and some cost of the flood. Expenses were over forecast \$7,000 because the cost of the signs, mower and flood were recognized. On a YTD basis our income is still ahead of forecast \$18,000 - mostly due the special gifts of \$15,000 given earlier in the year. Our total expenses YTD is less than \$1,000 over budget, which is about \$7,000 increase in spending due to the special purchased items shown in the month of October. For the balance of 2008, cash will be very tight and will depend a lot on Christmas tree sales, the bazaar, the usual catch-up in year end giving and if we receive any more special gifts.

We are still trying to determine our final position on the Little Disciples flood. Whatever the loss is will have to be borrowed - maybe in the \$30,000 to \$40,000 range.

Thanks to all for your support in 2008. †

Food Pantry

By Jackie Hazen

Thank you to those who have helped keep our food pantry stocked. The number of those needing help in our community continues to grow. Each week we see new faces and hear the stories of how they have lost jobs, businesses, or their homes are in foreclosure. Many never dreamed that they would be standing in line for food to feed their families. Your donations are very much appreciated.

The proceeds from our garage sale helped greatly to restock our shelves. A big thank you goes to the youth of Beneva and their sponsors. We have a great bunch of kids here!

Have you checked out the container vegetable garden near the garage lately? Our youth are doing a great job! It is exciting to watch the plants as they grow. The harvest of their garden will go to help stock our food pantry.



We are always in need of cereal, peanut butter, jelly, canned fruits and vegetables, soups, rice, pasta, and spaghetti sauce. Special treats are cake mixes, crackers, cookies, canned meats, ketchup, mustard, mayonnaise, soaps and toilet paper. Monetary donations are greatly appreciated.

We helped twenty families this year with Thanksgiving baskets. Each family was given enough food for Thanksgiving dinner and a voucher to take to All Faiths Food Bank to pick up their turkey. Rhiann Brodkorb baked pumpkin pies for our families. Thank you, Rhia!!!

Christmas is quickly approaching. In the past we have used proceeds from our Christmas tree sales to purchase gifts for our families in need. This year much of the tree sale proceeds will be needed to help with expenses for our church. If you are able to help with Christmas baskets and gifts please contact Jackie Hazen.

Beneva Christian Church's Food Pantry is a wonderful blessing to our community. Thank you for all that you do to help! †

"God can do great things with our lives, if we but give them to him in sincerity."

—Anna R. Brown Lindsay

Bifocal Bunch News

Tuesday, December 9th at 9:00 am. Breakfast at the Serving Spoon on South Osprey Ave near Sarasota Memorial Hospital. Please RSVP to Shirley at 377-7894 or sailor1954@aol.com

New Year's Eve – Wednesday, December 31st. Dinner at Ophelia's Pasta House in Nokomis at 7:30 pm then a party at the Wyatt's. Bring a \$5.00 gift with no name on it for a Scottish gift exchange. Also please bring a dessert or beverage. RSVP to Shirley Blanton. †

Christmas Cantata

Our long-awaited Christmas Cantata will take place on December 21st, during Worship Service which begins at 10:30am. There will be a special Children's Program as a part of this year's Cantata. You won't want miss out on the beauty and spirit of this uplifting event. †

Points to Ponder

Nurture Department



This year we are doing things differently. We would like to decorate our beautiful sanctuary with poinsettias for the holiday season. However, we can only order the number of poinsettias that you have requested and paid for. So, please order and pay \$10.00 each for the amount you want by the December 7, 2008 deadline. You may place your order in the offering plate, or leave it in the office. You can pick them up after our December 28, 2008 service.

I would like to thank you all for the cards that you have brought to me for mailing to our loyal members. I was able to get a very good buy on Birthday Cards and have a good supply of them. However, they are only appropriate for females and children, so now I need cards for our male members. If you have any spare ones, I could use them. I am out of Anniversary Cards too, so I could use any you may have. A special great big thanks to Bob Evans for his very generous donations of cards and envelopes. As of this date I have mailed 2,307 cards to our members in the period that I have been on the Nurture Committee!


Love and Blessings, Florine Blake †

Little Disciples Preschool

By Cindy McDowell, Director

November has been a beautiful month for us. We have been very busy going on nature walks, learning about food and so much more and we are REALLY enjoying our time on the Outdoor Classroom and the Playground. Before closing for Thanksgiving Break, it is a long-standing tradition for our children to come together for our annual Stone Soup Feasts. A delicious time was shared by all.

Little Disciples continues to collect Canned Goods for the

 Food Pantry and Happy Meal toys for children in the Philippines. Our thanks to everyone for contributing so generously. We will return from Thanksgiving break to begin stuffing Christmas Stockings with toys for children and much-needed items for their families in our community. Every room will have a big, red stocking hanging on the doorknob. Please give only new or re-gifted items only. Collecting gifts for others during the holidays is always special. Our preschoolers come to think of the children they are shopping for as their "friend." See us if you are interested in donating a gift to someone in need.

December is a very musical, very EXCITING month here!! Our calendar is bursting with special days. Did you mark your calendars for the greatest concerts ever?! On December 11th & 12th, Little Disciples Preschool will come together in song for our preschool families each day at 11:30am. Our youngest preschoolers will host an in-classroom mini-concert with an in-class cookie reception on December 11th. A courtyard reception will follow our concert on the 12th.

There's still time to join us for Parents Night Out in December. Various staff members will be watching children here in the preschool on both Friday the 5th and 12th. Come join the fun from 5pm-8pm (dinner included). Call for prices and to RSVP today!!

We will end our month with classroom holiday luncheons, lots of special/secret workshops and soooo much fun!! Because everyone has been so good here at Little Disciples, Santa called to ask if he could come visit with all our preschoolers! So-ho-ho look for a special visit with Santa during our last week of school-hurray!! School ends on December 19th, and resumes January 5th, 2009. We wish you all a Merry Christmas and Happy Holidays!!

With Love from EVERYONE here at Little Disciples Preschool ☩

Teacher's Tidbits by Mrs. Plattner

Can you believe it's almost December?! We will be very busy this month as we begin preparing for the holidays. We will start by making our Christmas tree chains so we can count down the 25 days 'til Christmas. Our classroom will be turned into Santa's workshop and my 8 little elves will be hard at work making presents for their loved ones while the sounds of music fill the halls as we practice for the greatest concert ever!!

We wish you all a very merry Christmas and a happy - healthy new year!! God Bless everyone this holiday season. ☩

Cash for Christmas

Can you use some "Cash for Christmas" this year? I think the answer to that one is easy.....YES!

Little Disciples Preschool is hosting a "Cash for Gold" event on Monday, December 8, in the preschool building. It's so easy to do. Call the preschool to set your private appointment with Nancy from the Gold and Silver Exchange and bring in all your old, broken, will-never-wear-again jewelry. Your gold will be appraised, weighed and you will leave with MONEY IN YOUR POCKET!!!!

Appointments take about 20 minutes (depending on the amount of jewelry you bring in). Fill out a form, have your jewelry weighed and you are done. This is your chance to get rid of that tangle of gold chains, broken bracelets and those single earrings whose mate is AWOL. Call us today at 924-9290 to set your appointment. This event may stretch into additional days if needed. I have already been a customer and the broken chains and old rings turned into over \$300. You could be Christmas shopping the same day!!!!

This event is designated to help replenish our Scholarship Fund. Thank you for your support. ☩

A Christmas Blessing

May you have the Spirit of Christmas, which is Peace,
The Gladness of Christmas, which is Hope,
The Heart of Christmas, which is Love,
The Gift of Christmas, which is Christ.

—Ada Hendricks

Prayer Partners

The following people had prayers requested for them during the month of November. Please take a moment for them, and continue to lift them up in your thoughts and prayers. Thank you and God Bless.

- John & Charlotte Green
- Loved ones of Betty Maddox
- Wilma Kaulfuss
- Tony Christian
- Mary Yarman
- Bob Blanton
- Bobbie Hartong
- Barbara Clements
- Jerry Caress
- Cathy Morris
- Joe & Alice Stump
- Marshall & Iris DuBois
- Dean & Carole Platt
- Scott Bouley
- Beneva & LDP Staff
- Ryan Bergeron
- Jack Naulty
- Ed & Bev Owens
- Michael Metrano
- Eboni Robinson
- Bob Yates
- Henry Matthews
- Greg Freeman
- Brad Hall
- Joseph Douvillier
- Military overseas & natural disaster victims
- Those struggling to make ends meet

Regional:

- Nellie Dean
- Lois Baker
- Family of Rev. Dr. Lucas Torres
- Family of Rev. Marilyn Mayse

“When we come together as one in prayer, all things are possible”. †

A Note of Thanks

To All My Beneva Christian Friends:

Thank you for your kindness and prayers during my illness and may you have a Blessed Holiday Season.

—Wilma K. Kaulfuss

Christmas Trees

We Need Your Help!

By the time you receive this, the tent will be up and we will be ready for business. We start selling trees the day after Thanksgiving: Friday, November 28th at 9 a.m. The week-end hours will be 9 a.m.—9 p.m. and during the first week 4 p.m.—9 p.m.

This is a church fundraiser and we need everyone in the church to help. There is a job for everyone regardless of your age or physical ability. If you haven't already received a call, you will. Bo Brag has offered to help arrange meals for the workers; Jane Wyatt will be calling for Greeters, who will tell our customers about Beneva and all we have to offer; Ruth Wolf will be calling everyone that has signed up to work, or if we need more help for a shift. We also need people to carry the trees, sell the trees, collect the money, and make wreaths. Like I said, we need your help and there is a job for everyone.

This is a fun project and a good way to fellowship and make new friends. It also makes money for the church. With the help of everyone we can make this year a success and help reduce the debt we have incurred this year. If you have any questions about what you can do or where you are needed please contact the following people:

Dale Root	266-2571	Frank Metheny	966-4668
Larry Hazen	504-9050	Pete Harris	927-4551

We hope to see you there! †

Cartridge World Fundraiser

Keith and Debra Harrison, owners of CARTRIDGE WORLD, 3472 Clark Road, have offered their cartridge recycling program to Beneva Christian Church. Place your empty cartridges in the recycling basket in the Narthex. We will take them to CARTRIDGE WORLD and they will quarterly reimburse Beneva Christian Church \$2 for usable name brand cartridges with print heads, \$1 for HP Brand usable cartridges without print heads, \$.50 for all other name brand usable cartridges without print heads. They will also send us \$3 for usable black and color laser toner cartridges.

Let's recycle and help support our church in the process! †

Kids Activities

Yuletide

GAMES

Enjoy the Christmas season with these games, centered around the theme of Jesus, our greatest gift.

JESUS' BIRTH FROM A-Z

What you need:

- Paper
- Pencils or pens
- Bibles (optional)



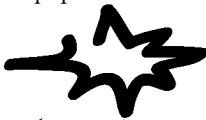
What you do:

Instruct players to think of as many Christmas-related words as they can that start with each letter of the alphabet. Start with A and give everyone a minute to brainstorm words for each letter. For example, M words include manger, Mary and miracle. If you get stuck, look at the Nativity accounts in Matthew 1 and 2, and also Luke 2. Players get a point for each word not repeated by others.

PIN THE STAR ON THE MANGER

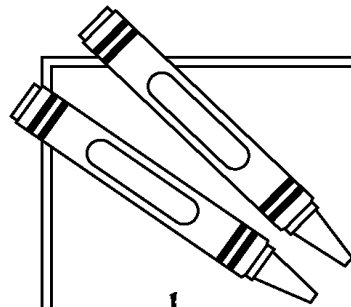
What you need:

- Butcher paper, poster board or plain wrapping paper
- Markers, paint or crayons
- Construction paper stars
- Tape
- Blindfold



What you do:

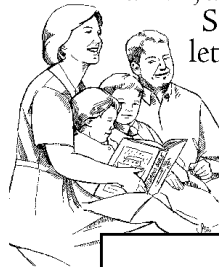
On large paper, draw a picture of a stable. Give each player a star cutout. Put a small + above the manger where the star led the shepherds and wise men to baby Jesus. Like in Pin the Tail on the Donkey, the blindfolded person who puts his or her star closest to the + wins.



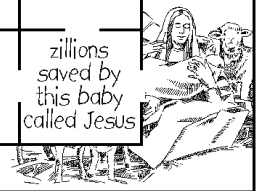
Just for KIDS

The Story of Jesus' Birth

Jesus' birth is recorded in three New Testament chapters: Matthew 1 and 2, and Luke 2. Follow some important words about our Savior's birth by starting at a word beginning with the letter A and finishing with a word starting with the letter Z.



	angels	Bethlehem	car	dance	easel
cat	bear	child	donkey	egg	fast
holy	glory	flocks	Earth	feathers	gap
inn	jacket	grapes	peace	quiet	hat
Joseph	King	Lord	only	righteous	shepherds
kelp	loop	Mary	night	unique	tidings
last	maze	paper	wise men	virgin	water
open	nest	word	excitement	young	zillions saved by this baby called Jesus



Answer: angels, Bethlehem, child, donkey, Earth, flocks, glory, holy, inn, Joseph, King, Lord, Mary, night, only, peace, quiet, righteous, shepherds, tidings, unique, virgin, wise men, excitement, young, zillions saved by this baby called Jesus

Christmas Poinsettia Order Form

Please fill out this form if you would like to order a poinsettia. This year, only poinsettias that have been ordered and paid for by December 7th can be made available by the Worship Dept. Please place the form and your check in the offering plate.

NAME _____

In Memory/Honor of: _____

No. of poinsettias : _____ at \$10.00 ea.= \$ _____

_____ I will be taking my flower.

_____ I will be leaving my flower, so it may be delivered to sick and shut-ins or used in the Christmas Eve service.



THE ANGEL TREE

Please list names of people for whom you want an angel ornament placed on the tree and whether each is in honor or in memory of the person. Proceeds are benefiting the Disciples Mission Fund, which is funding Disaster Relief efforts in the U.S. and around the world.

Please print legibly.

(\$5.00 for each Angel Tree Gift)

Name	Memory/Honor	Amount
_____	_____	\$ _____
_____	_____	\$ _____
_____	_____	\$ _____
_____	_____	\$ _____

My Name _____



Beneva Christian Church
(Disciples of Christ)

2008 General Board Members

Church Officers

Chair: Olevia Fulkert
Vice-Chair: Dale Root
Secretary: Elsie McDonald
Financial Secretary: Frank Metheny
Treasurer: Duane Wyatt
Historian: Pauline Totten/Jane Oneal

Elders

<u>Expires 2008</u>	<u>Expires 2009</u>	<u>Expires 2010</u>
Sara Metheny	Garland Poquette	Charles Rabjohns
Frank Metheny	Jane Oneal	Bob Blanton
Olevia Fulkert	Glenn Oneal	Shirley Blanton
Greg Fulkert	Duane Wyatt	Bob Evans

Department Chairs

Worship: Sara Metheny
Christian Education: Patty & Garland Poquette
Stewardship: Duane Wyatt
Church Growth Jane Wyatt
Membership:
World Outreach: David Harlow
Property: Thomas Byrd
Healthcare Services: Pauline Totten
Nurture: Florine Blake

Deacons

<u>Expires 2008</u>	<u>Expires 2009</u>	<u>Expires 2010</u>
Gail Brodkorb	Lori Walsh	Cindy McDowell
Brenda Root	Debbie York	Suzanne Pruse
JoAnn Kelly		Tim Brodkorb
Amy Abbot		Becky Brodkorb
		Jan Bogart
		Dean Hoover
		Joyce Hoover
		Nila Valvo

Staff

Minister: Pastor Bobby Dickerson
Secretary: Caitlin McDowell
Director of Music: Greg Fulkert
Pianist/Organist: Janene Overley
Youth Director Corry O'Carroll
Custodian: Yves May
Preschool Director: Cindy McDowell
Nursery Attendant— Gail Brodkorb
December: Alicia Brodkorb

Youth Deacons

Expires 2008

Deanna Root

Trustees

<u>Expires 2008</u>	<u>Expires 2009</u>	<u>Expires 2010</u>
Glenn Oneal	Bob King	Jerry Caress

Group Chairs

Elders: Frank Metheny
Deacons: Amy Abbot
Trustees: Bob King
Greeters: Ruth Wolf
Acolytes: Kathy Bearden
Christian Women Fellowship:
Christian Men Fellowship: David Harlow
Bifocal Bunch: Shirley Blanton
Young Couples/Singles:
Technology: Marshall K DuBois
Newsletter: Caitlin McDowell
Web Site: Marshall K DuBois
By-Laws:

Committee Chairs

Little Disciples Preschool: Erin Sturm
Memorial: Barbara Clements
Music: Suzie Davis
Personnel Committee: Duane Wyatt
Local Benevolence: Jackie Hazen
30/30 Vision: Elders
New Building:
Scholarship: Kathy Bearden
Hostess: Brenda Root/Gail Brodkorb

Notice

Everyone on this page is requested to attend the General Board meetings.
 All Church Officers, Department Chairs, Staff, Committee Chairs and Group Chairs are requested to attend the Cabinet meetings.

Elder Serving Schedule for December 2008

December 7

L Sara Metheny
R Frank Metheny

December 14

L Charles Rabjohns
R Duane Wyatt

December 21

L Shirley Blanton
R Bob Blanton

December 28

L Greg Fulkert
R Olevia Fulkert

Elders of the month: Glenn Oneal & Jane Oneal (shut-ins, lockup facilities)

Deacon Serving Schedule for December 2008

Elements Preparation for December — JoAnn Kelly & Jan Bogart

December 7

1 Alicia Brodkorb
2 Gail Brodkorb C/B
3 Tim Brodkorb
4 Deanna Root

December 14

1 Debbie York C
2 Nila Valvo
3 Suzanne Pruse
4 Amy Abbot
JoAnn Kelly B

December 21

1 Deanna Root
2 Brenda Root
3 Cindy McDowell C/B
4 Jan Bogart

December 28

1 Cindy McDowell
2 Lori Walsh
3 Jan Bogart
4 Suzanne Pruse C/B

B= Bulletins: Arrive at 9:45 am to hand out bulletins.

C=Captain: Arrive at 10:10 am to check that the communion table is complete and all Deacons are accounted for.

U=Usher stays in the back and seats the late people and handles the microphone or announcements and prayer requests.

If you are unable to serve on scheduled date — Please arrange to have someone cover for you on that date.

All Deacons serving on their Sunday are to make sure all bulletins, cups and papers are picked up from the pews.

Communion Cups — fill grape juice to line right before it starts to curve — IF MUCH POUR SOME OUT.
Communion Preparation — Give to Organist (on wooden shelf), Worship & Wonder (in Fellowship Hall) and Nursery.

If you have any questions call Amy Abbot (Deacon Chair) at 922-1089.

Please Remember our Homebound

Ruth Martin

1343 Lucaya Ave
Venice, FL 34285

Thelma McKahan

22 Horton Cir
Sarasota, FL 34232

Wilma Kauffuss

3270 Lake Pointe Blvd
Room 125
Sarasota, FL 34231

Please remember those who are sick and our “shut-ins” this Christmas season. Drop a Christmas card or note to those who are unable to attend our weekly services and let them know they are missed. John and Charlotte Green are currently at Palmer Ranch Health Care. Please remember Donna Shrimplin, Leanne Dickerson, Iris DuBois, Charles & Bobbie Hartong, Leon & Edith Davidowski, Mary Yarman, and any others who may appear on our prayer list.

Blood Pressure Check

By Pauline Totten, Healthcare Services

Our Blood Pressure service will take place in the CYF room on December 7th at 11:30 am (after church). Please come if you are concerned about your health.

Would anyone who is involved in the medical field contact me at 349-3167. †

Christmas Order Forms

If you would like to purchase a Poinsettia, please bring or mail the completed form, found on page 11, by December 7th with your payment. Also on pg. 11 is the form you will need if you wish to purchase an angel ornament, in honor or memory of a loved one, to be put on our Angel Tree. †

www.lifeatbeneva.org

In addition to our sermons now online we also have the following features:

- Weekly Sermons to listen to and save
- Prayer Requests
- Elder and Deacon Schedules
- Good News newsletter in downloadable format
- Slideshows of church events
- Links of interest to Disciple websites
- Church event calendar and weekly schedule
- Contact information and more

Church Office

Phone: 924-8713
Pastor: 400-7349

The office hours are 9:00 am to 1:00 pm Monday through Friday.

Church Staff

Senior Pastor: Dr. Bobby Dickerson

b.dickerson@lifeatbeneva.org

Church secretary: Caitlin McDowell

bccoffice2@verizon.net

Director of Music: Greg Fulkert

Youth Director: Corry O’Carroll

Director of Little Disciples Preschool: Cindy McDowell

Pianist/Organist: Janene Overley

Custodian: Yves May

Nursery Attendant—December: Gail Brodtkorb

Chair of the Board: Olevia Fulkert

Treasurer: Duane Wyatt

treasurer@lifeatbeneva.org

Financial Secretary: Frank Metheny

financial@lifeatbeneva.org

Church Website — <http://www.lifeatbeneva.org>

E-mail Prayer Chain



If you would like to be added to our e-mail prayer chain please send your request via email to:
churchoffice@lifeatbeneva.org

January Good News

Deadline for articles sent to the church is the week of December 19th.

Articles may be sent directly to Caitlin McDowell at bccoffice2@verizon.net †

Good News Printed By

Creative Technology of Sarasota, Inc.
5959 Palmer Blvd.
Sarasota, FL 34232
(941) 371-2743

Email: bob@ctimls.com

The Life of Beneva in December 2008

<u>December 1, 2008</u>	<u>Monday</u>
Joshua's Men—Fellowship Hall	7:00 pm
<u>December 2, 2008</u>	<u>Tuesday</u>
Martha Circle Dinner—Sugar & Spice	5:45 pm
<u>December 3, 2008</u>	<u>Wednesday</u>
Choir Rehearsal—Sanctuary	7:00 pm
<u>December 4, 2008</u>	<u>Thursday</u>
Beta Sigma Phi Xmas Potluck—F.H.	5:00pm-9:00pm
Community Bible Study—F.H. and Sanctuary	7-8:30 pm
<u>December 5, 2008</u>	<u>Friday</u>
Naomi Circle—Fellowship Hall	12:00 pm
Food Pantry Open	3:00-5:00 pm
LDP Parent's Night Out	5:00-8:00 pm
<u>December 6, 2008</u>	<u>Saturday</u>
Make A Gift—Fellowship Hall	1:00pm-4:00pm
<u>December 7, 2008</u>	<u>Sunday</u>
<i>Food Pantry Sunday</i>	
Adult & Youth Bible Study—Fellowship Hall	9:00 am
Traditional Worship Service	10:30 am
Worship & Wonder—Fellowship Hall	10:45 am
Youth Groups—Fellowship Hall	4:30 pm
Steak N' Shake Fundraiser	5:00-8:00 pm
<u>December 8, 2008</u>	<u>Monday</u>
Cash for Gold—Education Bldg	By Appointment
<u>December 9, 2008</u>	<u>Tuesday</u>
Elder Meeting—Fellowship Hall	7:00 pm
<u>December 10, 2008</u>	<u>Wednesday</u>
Choir Rehearsal—Sanctuary	7:00 pm
<u>December 11, 2008</u>	<u>Thursday</u>
LDP Christmas Concert—Sanctuary	11:30 am
Community Bible Study—F.H. & Sanctuary	7-8:30 pm
<u>December 12, 2008</u>	<u>Friday</u>
LDP Christmas Concert—Sanctuary	11:30 am
Food Pantry Open	3:00-5:00 pm
LDP Parent's Night Out	5:00-8:00 pm
<u>December 13, 2008</u>	<u>Saturday</u>
Breakfast with Santa	8:00 am

<u>December 14, 2008</u>	<u>Sunday</u>
<i>Christmas Special Offering</i>	
Adult & Youth Bible Study—Fellowship Hall	9:00 am
Traditional Worship Service	10:30 am
Youth Groups—Fellowship Hall	4:30 pm
<u>December 17, 2008</u>	<u>Wednesday</u>
Choir Rehearsal—Sanctuary	7:00 pm
<u>December 18, 2008</u>	<u>Thursday</u>
LDP Chapel Moments—Sanctuary	11:30 am
Community Bible Study—F.H. & Sanctuary	7-8:30 pm
<u>December 19, 2008</u>	<u>Friday</u>
LDP Chapel Moments—Sanctuary	11:30 am
Food Pantry Open	3:00—5:00 pm
Church Christmas Dinner—F.H.	6:00 pm
<u>December 21, 2008</u>	<u>Sunday</u>
<i>Christmas Sunday</i>	
Adult & Youth Bible Study—Fellowship Hall	9:00 am
Worship Service—Cantata & Children's Program	10:30 am
Faith Seekers—Nursery	10:30 am
Youth Groups—Fellowship Hall	4:30 pm
<u>December 22, 2008</u>	<u>Monday</u>
Live Nativity	6:30-9:00 pm
<u>December 23, 2008</u>	<u>Tuesday</u>
Live Nativity	6:30-9:00 pm
<u>December 24, 2008</u>	<u>Wednesday</u>
<i>Christmas Eve</i>	
Live Nativity	6:30-9:00 pm
Christmas Eve Candlelight Service—Sanctuary	7:00 pm
<u>December 25, 2008</u>	<u>Thursday</u>
<i>Christmas Day</i>	
<u>December 28, 2008</u>	<u>Sunday</u>
Adult & Youth Bible Study—Fellowship Hall	9:00 am
Traditional Worship Service	10:30 am
(If you bought a Poinsettia, please take it home after church)	
Faith Seekers—Nursery	10:30 am
Youth Groups—Fellowship Hall	4:30 pm
<u>December 31, 2008</u>	<u>Wednesday</u>
Bifocal Bunch New Year's Eve Party	6:30pm-12 am

**Christmas Tree & Wreath Sale—Began Nov. 28th
First Week 4-9pm Sundays 12-9pm; Weekdays
& Saturdays 9am-9pm**

What Do Disciples Believe?

Like most Christians, Disciples affirm:

- ♦ Jesus Christ is the son of the Living God, and offers saving grace to all.
- ♦ All persons are God's children.

Beliefs and practices usually associated with Disciples include:

- ♦ *Open Communion.* The Lord's Supper, or Communion, is celebrated in weekly worship. It is open to all believers.
- ♦ *Diversity of opinion.* Each person is free to determine individual belief guided by the Bible, the Holy Spirit, study and prayer.
- ♦ *Baptism by immersion.* In baptism the old self-centered life is set aside, and a new life of trust in God is made possible. Although Disciples generally practice baptism by immersion, they honor other baptism traditions as well.
- ♦ *Importance of church unity.* All Christians should cooperate in ministry wherever possible, affirming each other as sisters and brothers in Christ.
- ♦ *The ministry of all believers.* Both ministers and lay persons lead worship, direct service opportunities and nurture spiritual growth.
- ♦ *Freedom of belief.* Disciples are called together around one essential of faith: belief in Jesus Christ as Lord and Savior. †



The chalice symbolizes the central place of communion in worship for the Christian Church (Disciples of Christ). The X-shaped cross of the disciple Andrew is a reminder of the ministry of each person and the importance of evangelism.

Discover . . . Spiritual growth

Every Disciples congregation meets weekly to worship God. In the warmth of God's presence and with the support of others, we grow in our understanding of God in ways that make a difference in our everyday lives.

Through worship that is both contemporary and traditional, we discover the joy of trusting and following Jesus.

Around the communion table, we acknowledge Christ's presence and remember the meal He shared with His followers. All believers are welcome at the Lord's table.

Whether you are a longtime follower of Jesus Christ, or curious about Christianity, the Christian Church can help you explore Christianity and learn about Christ. †



Sunday Schedule

Adult & Youth Bible Study Class	9:00-10:00 am
Traditional Worship Service	10:30 am
Faith Seekers—Nursery	10:30 am
Worship & Wonder	After Children's Sermon
Youth Groups	4:30 pm



THE GOOD NEWS December 2008

BENEVA CHRISTIAN CHURCH (Disciples of Christ)
4835 Beneva Road, Sarasota, FL 34233-2110

Phone: 941.924.8713 Fax: 941.923.4185

E-Mail: bccoffice2@verizon.net

Web Site: www.lifeatbeneva.org

NON-PROFIT
ORGANIZATION
US POSTAGE PAID
MANASOTA, FL
PERMIT #443

RETURN SERVICE REQUESTED